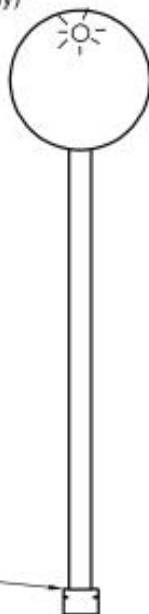


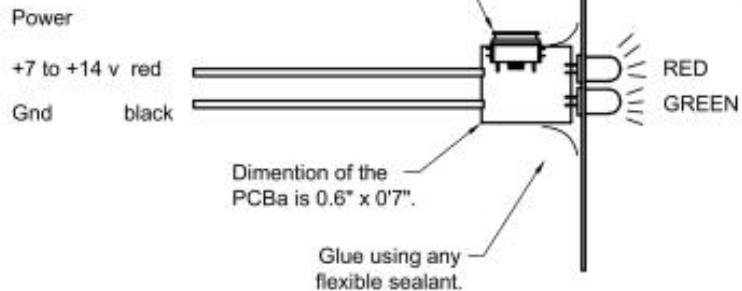
Sensor head
(mounted remotely)



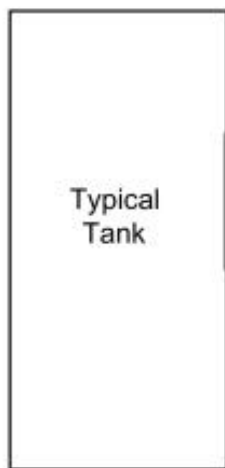
USB plugs provide connectivity to the sensor. Plug the sensor into the LED board which is mounted on the instrument panel. Power the board with the 12 v leads. Use an appropriate usb extension to move any distance away. (extension not included)

USB plug and receptacle

TYPICAL INSTALLATION

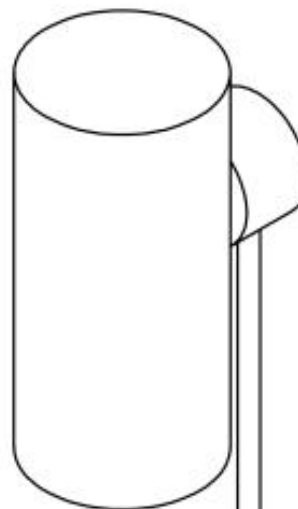


Typical Tank



Blue
Flashing:
Liquid is present

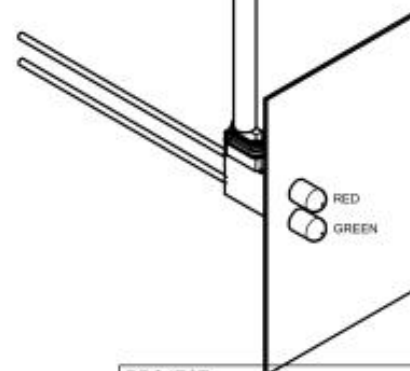
Solid:
Liquid is absent



Scuff tank and Bingo4, use special epoxy (included.) to glue to the tank.

No holes are made in the tank.

When the fuel inside drops below the sensor level the status lights change accordingly



Red: liquid is absent
Green: liquid is present.

Front
Inst.
Panel

PROJECT

BINGO4 LIQUID SENSOR

TITLE

INSTALLATION DIAGRAM

APPROVED	SIZE	CODE	DWG NO	REV
CHECKED	B			
DRAWN Steve Damon 9/3/2020	SCALE 1	WEIGHT	SHEET 1/1	